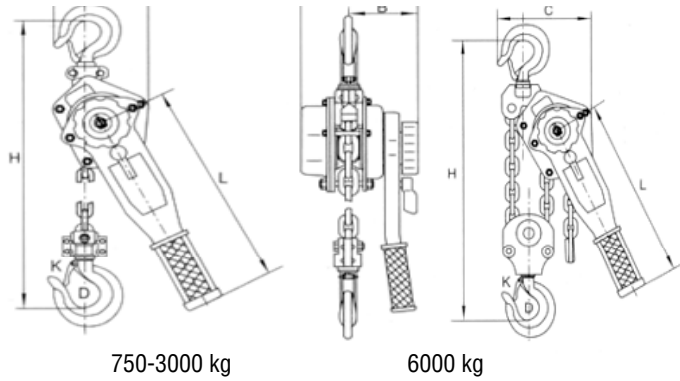




## TYPE LH-II

rateltakels  
palans à racagnac  
lever hoists



capacity (kg)	750	1500	3000	6000
hand effort (N)	140	220	320	340
chain falls	1	1	1	2
load chain (mm)	6	8	10	10
A (mm)	145	175	203	203
B (mm)	86	100	118	118
C (mm)	122	130	150	205
D (mm)	30	36	40	50
L (mm)	280	410	410	410
weight with 3 m (kg)	8,7	13,6	24,3	38,1
reference with 3 m	2003000750	2003001500	2003003000	2003006000